

ZENT CERUMO RC F BODY SHELL

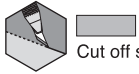
Official Licensed Product
NO.48773

killerbody™
1/10 RC PLANNING INSTRUCTION SHEET

This body can be used with 1/10 electric touring car chassis (Long Wheelbase: 257mm, Width: 195mm)

Before beginning assembly, please read these instructions thoroughly!

● Symbols used throughout the instruction manual, comprise:



Cut off shaded portion.



5mm
Drill holes with the specified diameter.



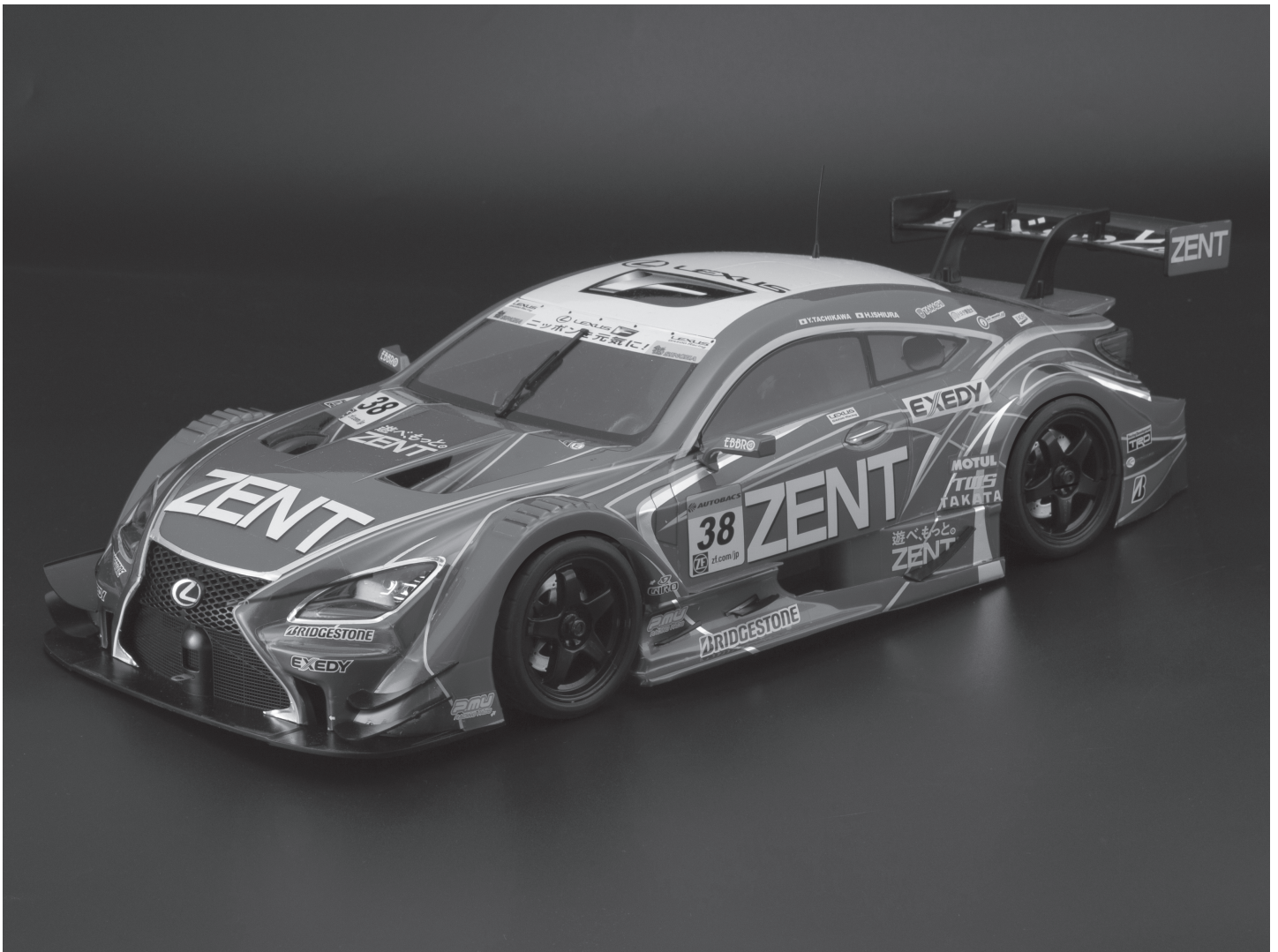
Pay close attention here!



Must be purchased separately.



Assemble left and right sides the same way.



● Before Assembly

Decoration Body

- ▶ In the case of a decoration body, please assemble it according to the contents showed.

When making the window transparent

- ▶ If you want to make the window transparent with a non decoration body, please assemble it according to the contents showed.

Non Decoration Body

- ▶ In the case of non decoration body, please assemble it according to the contents showed.





When loading LED lights

- ▶ If you want to load LED lights with a non decoration body, please assemble it according to the contents showed.

PARTS

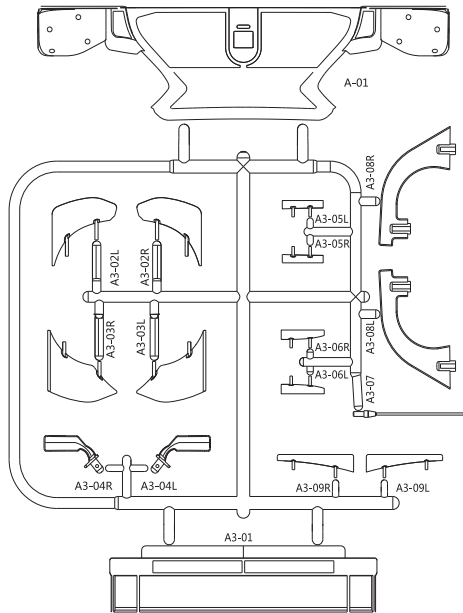
PP part ----- X1
 ABS parts ----- X2
 PC parts ----- X2
 Stainless steel air intake mesh -----X1
 Trailer ring (red) -----X1

Body decal sheet -----X1
 Window masks -----X1
 Silver mirror decal -----X1

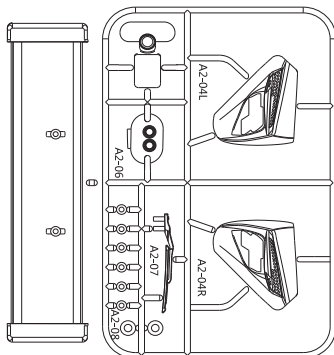
 Screw 2.3X6mm-----X23
 LED stopper ----- X13
 Clip -----X2
 O-Ring -----X2

PLASTIC PARTS

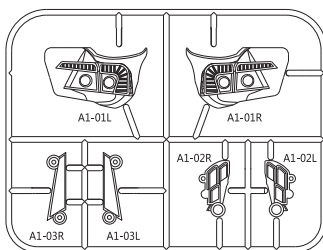
A PP part



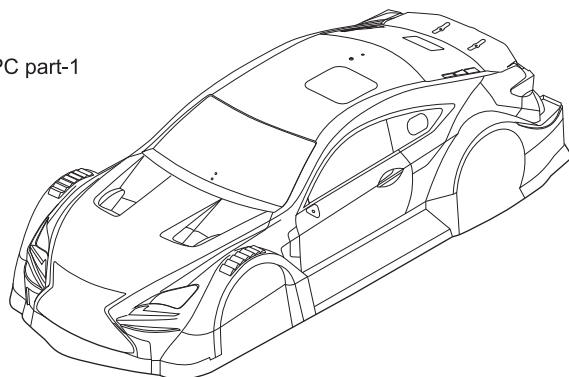
B ABS part-1



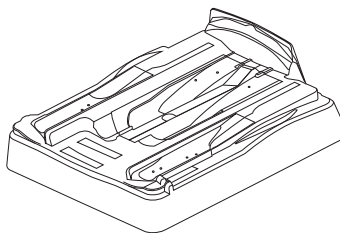
C ABS part-2



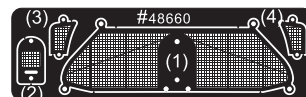
D PC part-1



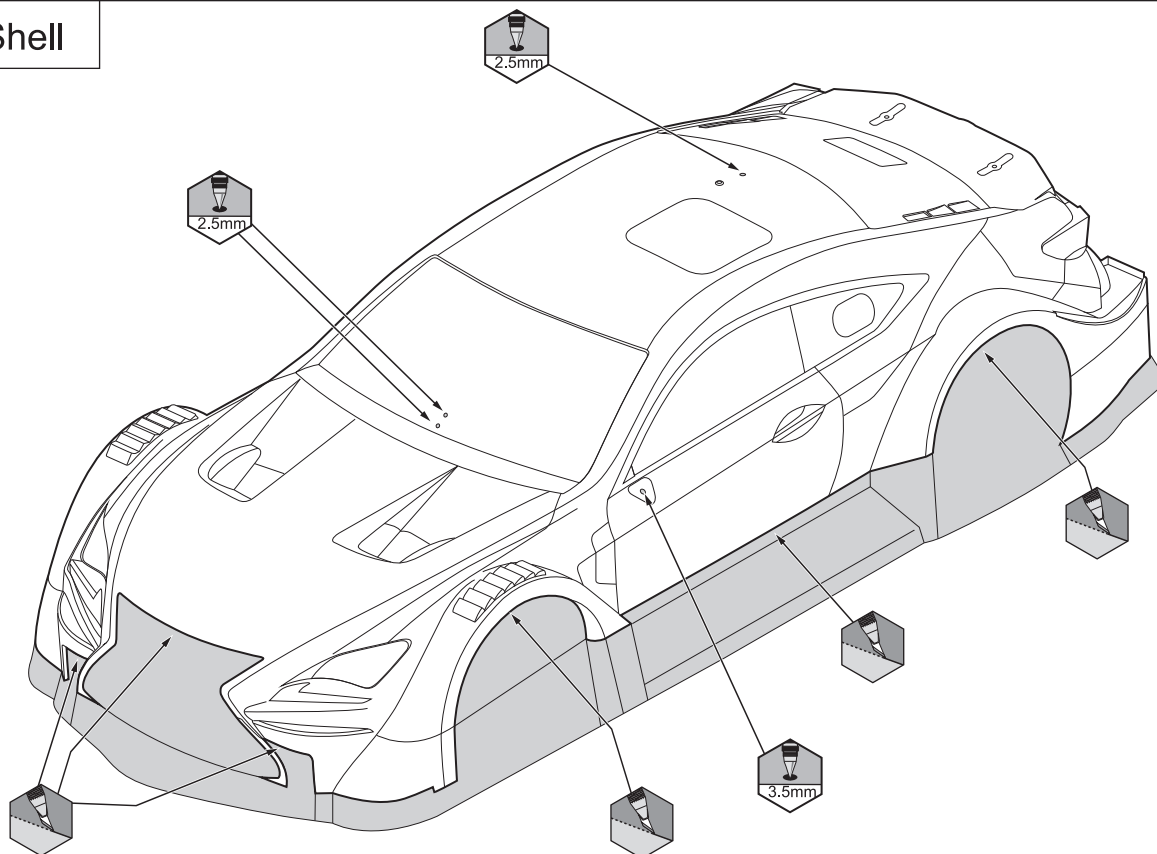
E PC part-2

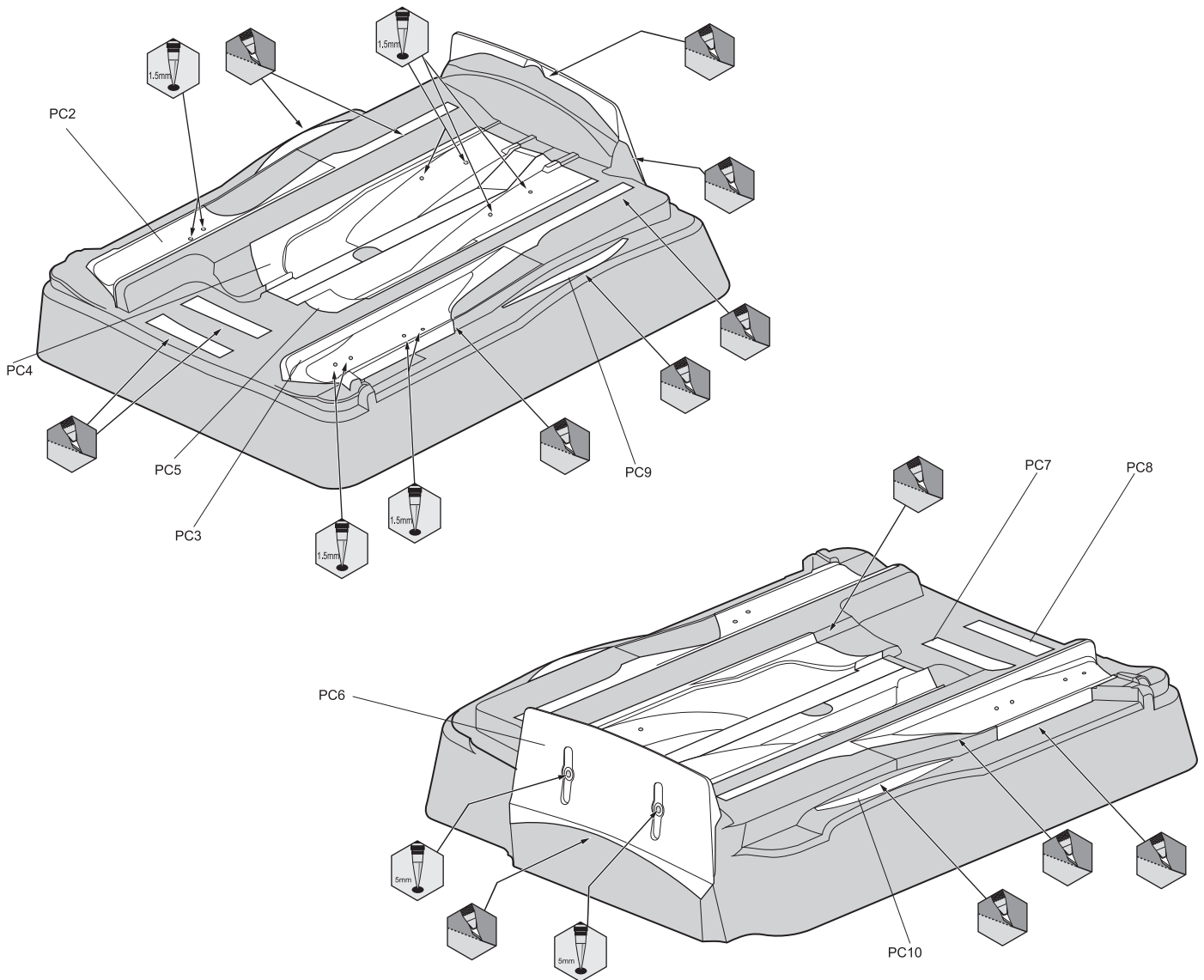
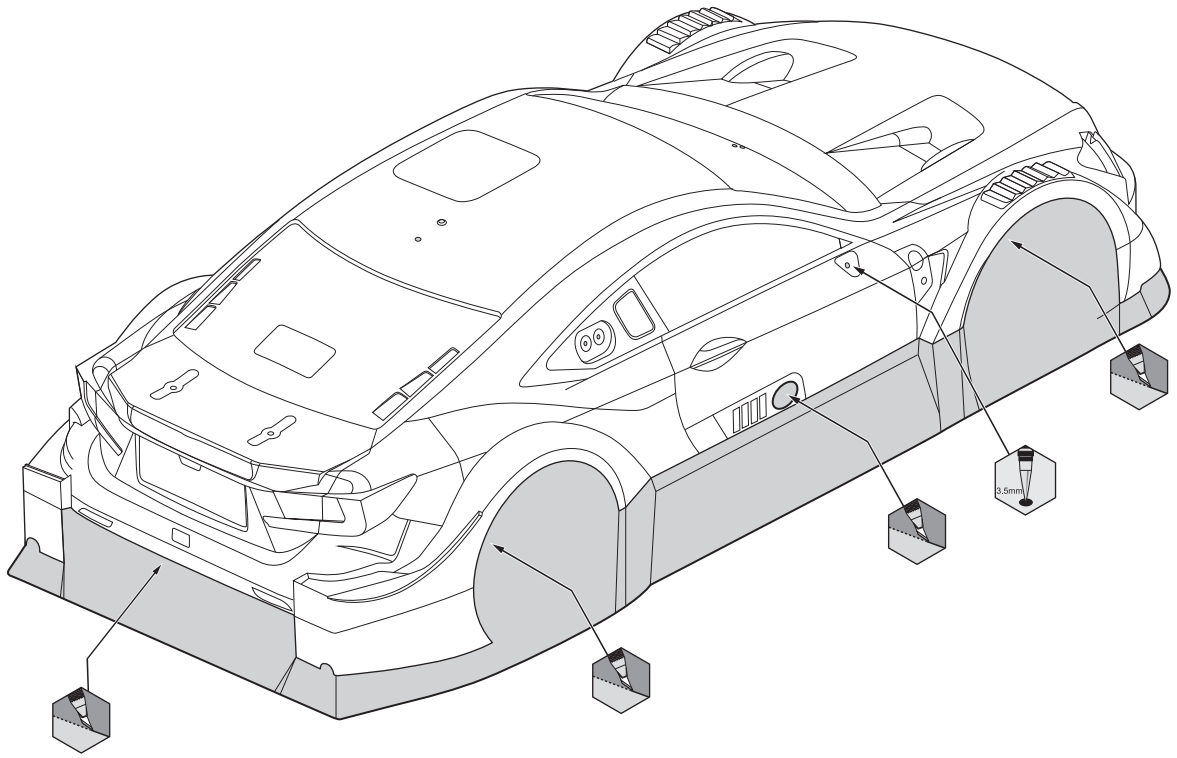


F Stainless steel air intake mesh & Trailer ring (Black)

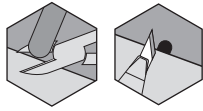


1 Body Shell



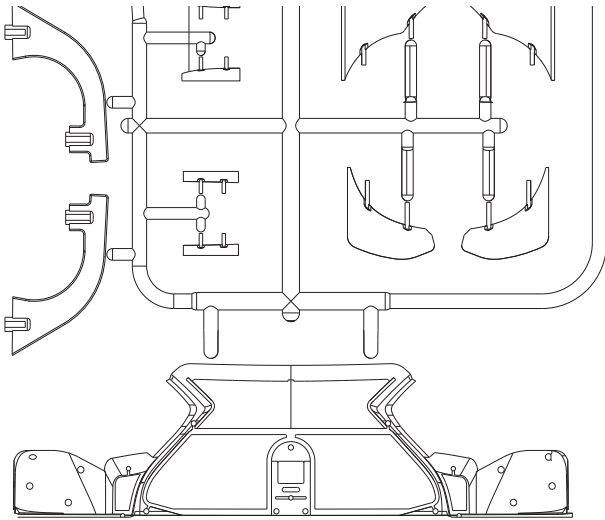


2 Cutting



Cut and smooth rough edge.

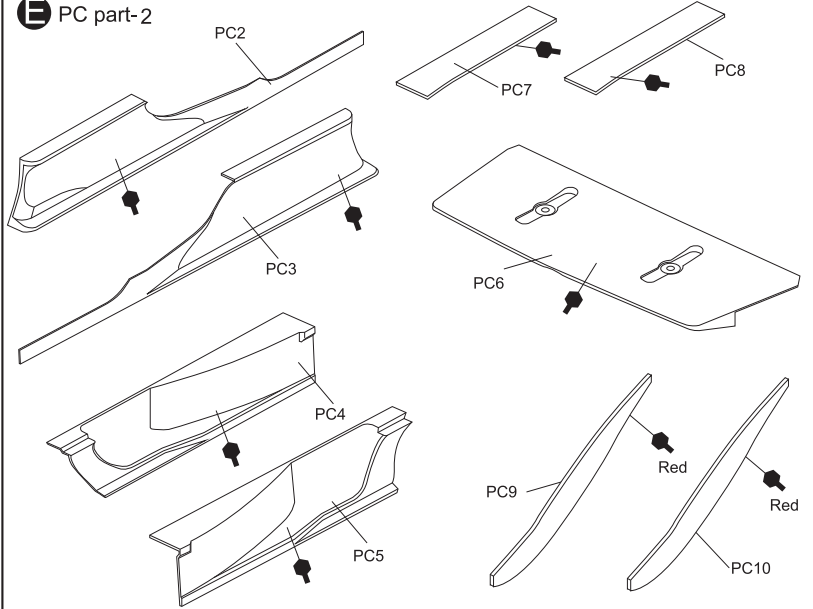
A B C



3 Painting

Paint spray color what you prefer on these parts.
It is advised use the recommended spray color as below.

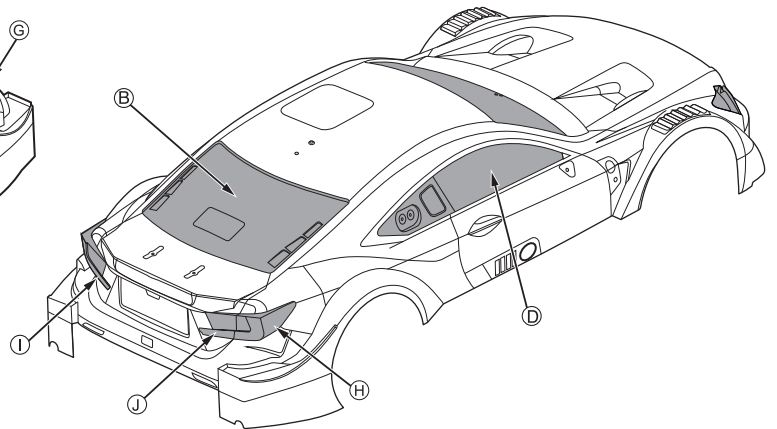
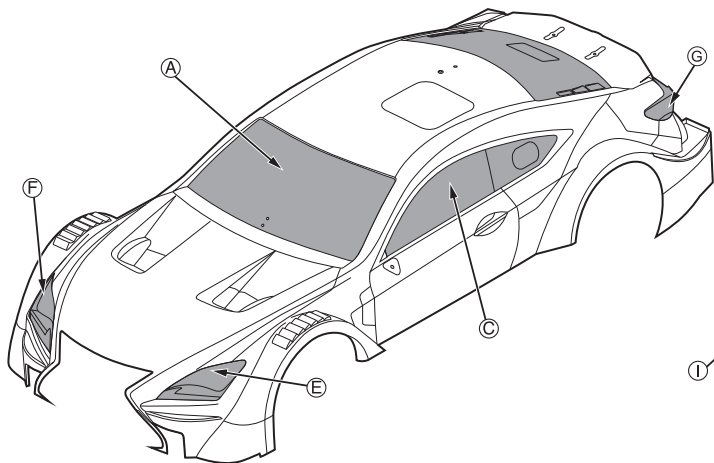
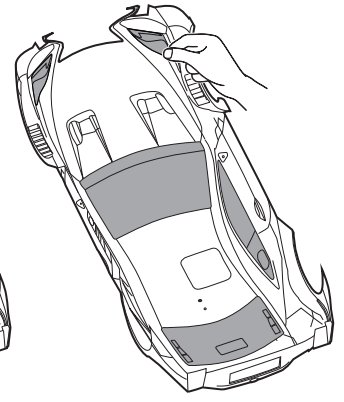
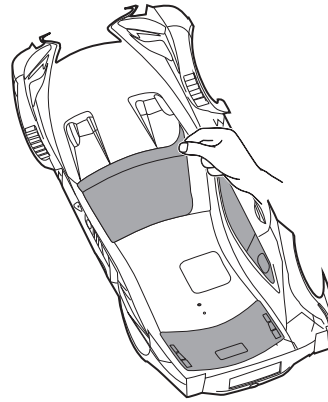
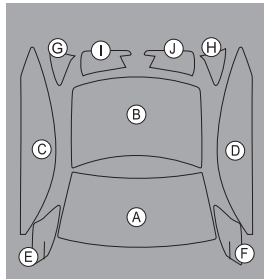
E PC part-2



4 Painting



2 Mask the parts from inside.

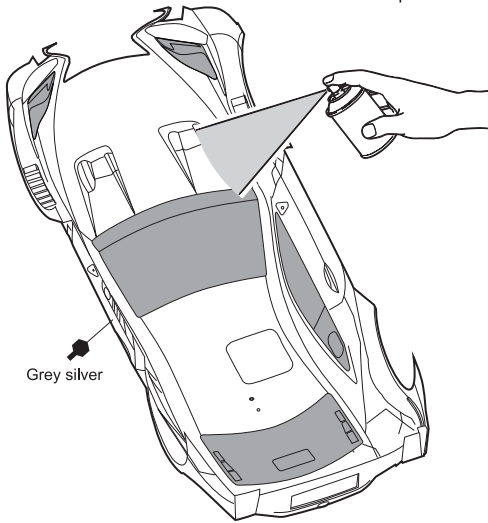


3 Paint spray color from the inside.

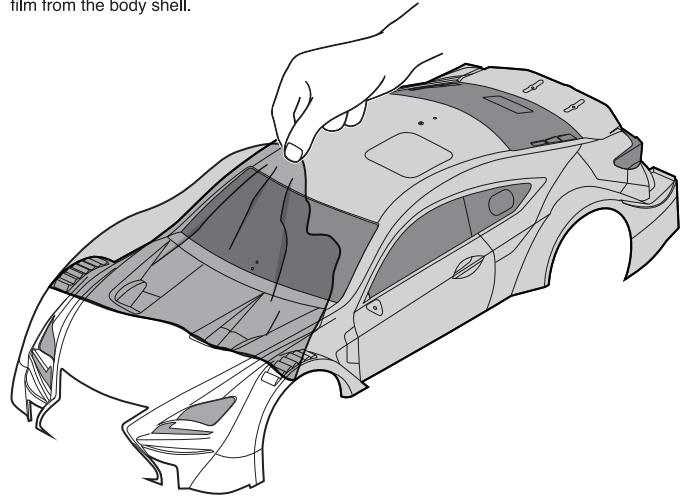
D E



PC1: Paint blue spray color first, remove the window mask (E), and then paint silver spray color.



4 After painting, remove the protective film from the body shell.



5 Decal

When making the window transparent

Non Decoration Body

When loading LED lights

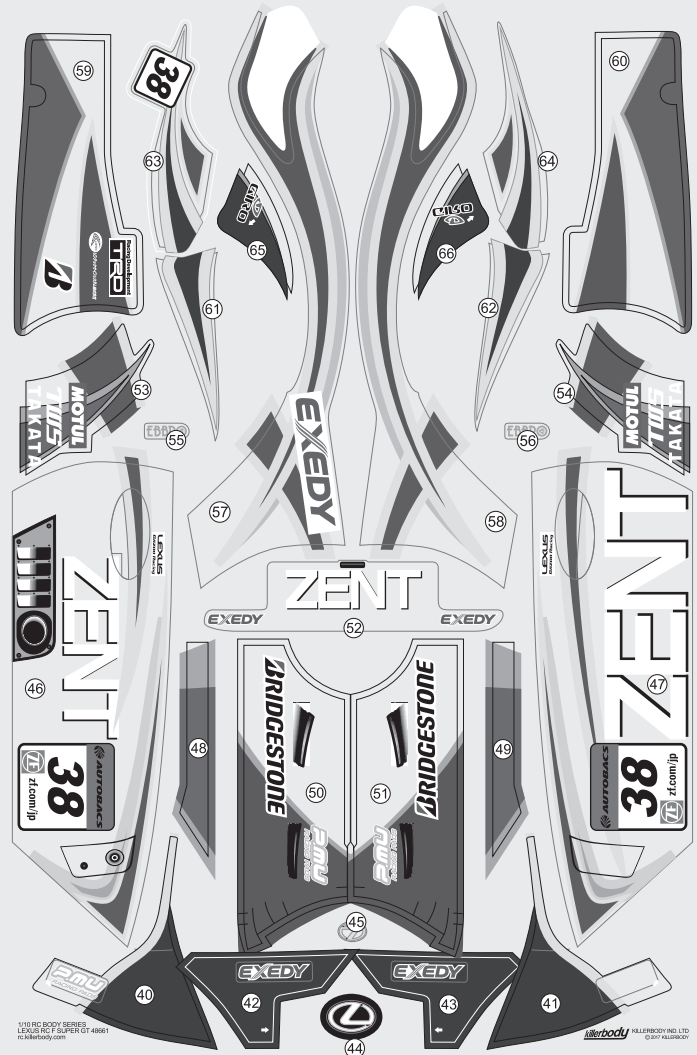
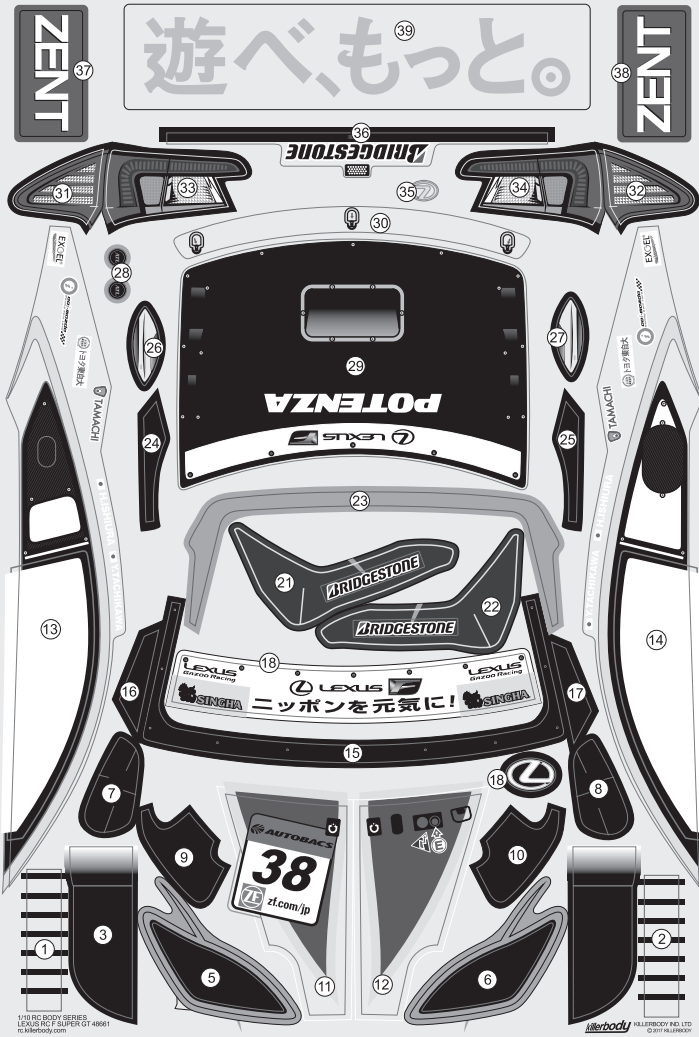
► The decal numbers between brackets are only for the opposite side.

When reproducing the light by decal

► Change the decal according to the following contents.



NO.48769 Racing Decal Sheet 2PCS 1/2



1/10 RC BODY SERIES
LEXUS RC F SUPER GT #8661
© 2017 ALIBRODY

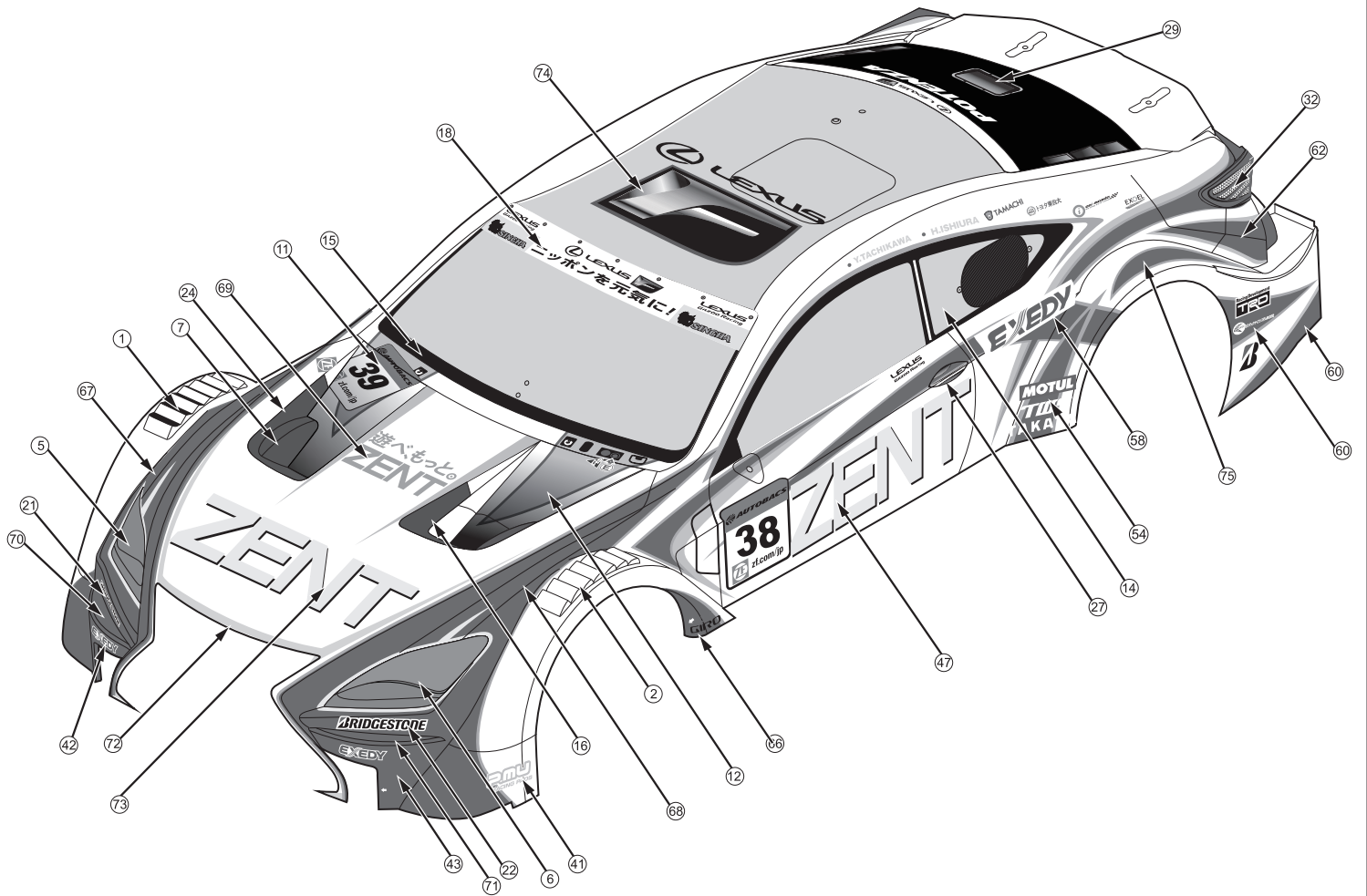
ALIBRODY INC. LTD.
© 2017 ALIBRODY

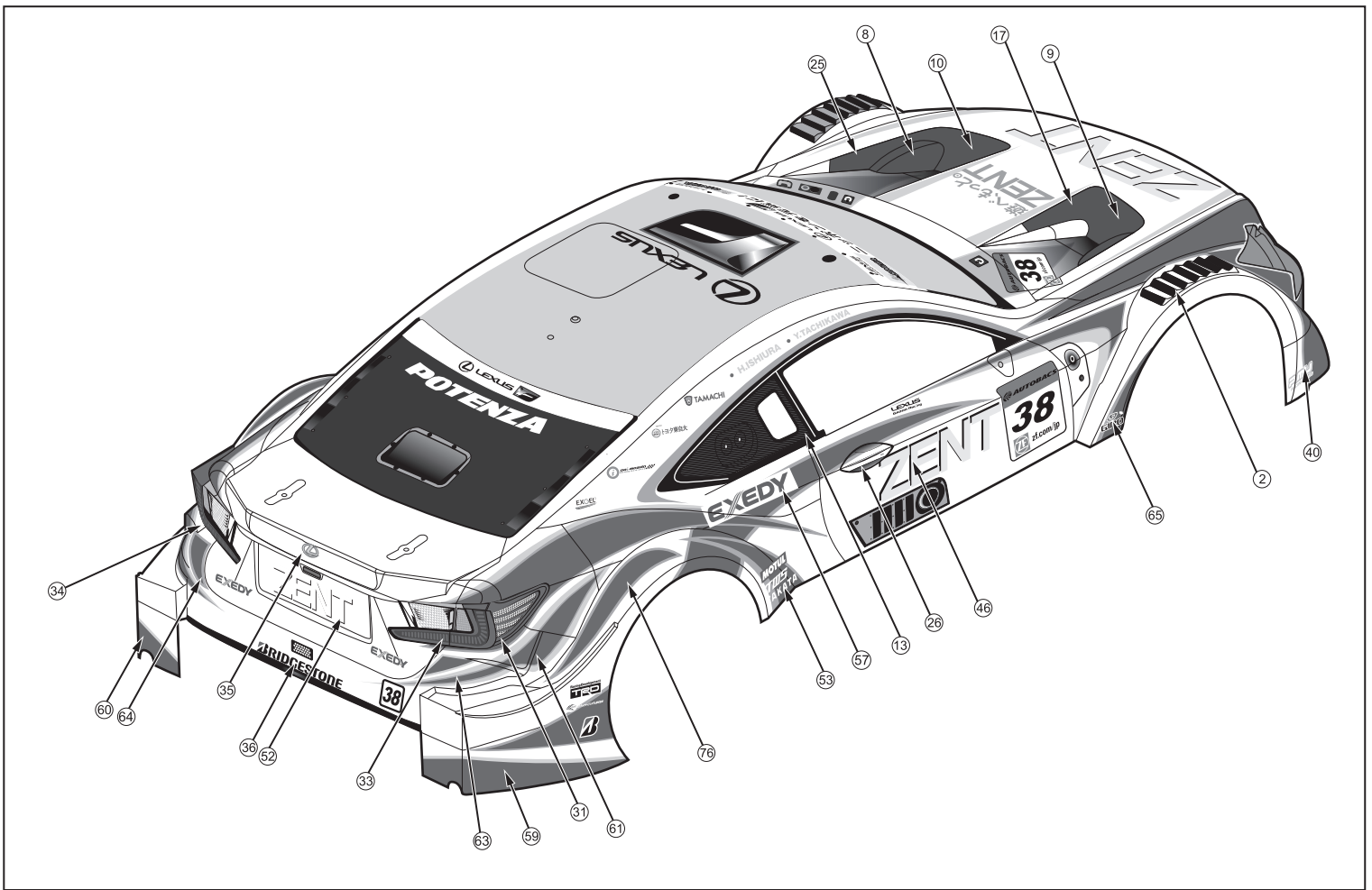
1/10 RC BODY SERIES
LEXUS RC F SUPER GT #8661
© 2017 ALIBRODY

ALIBRODY INC. LTD.
© 2017 ALIBRODY



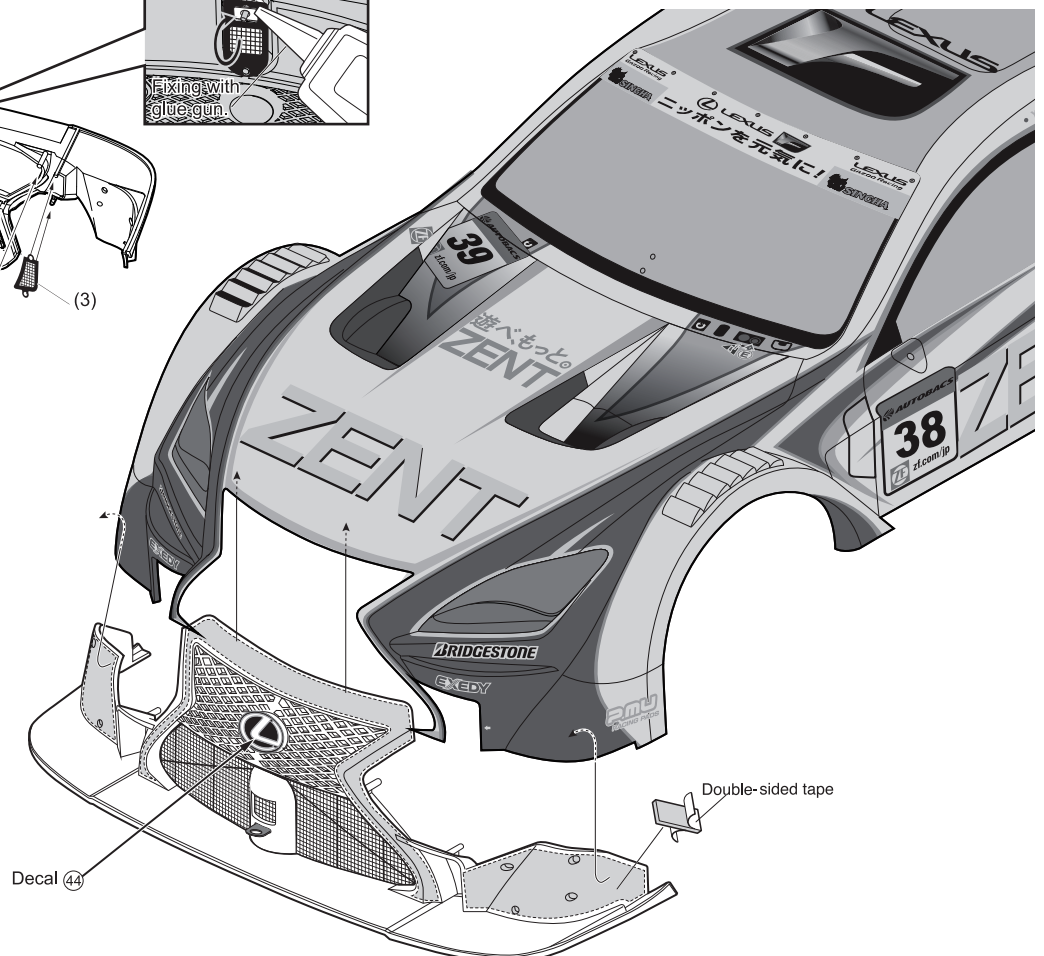
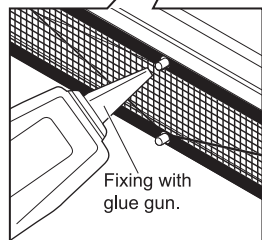
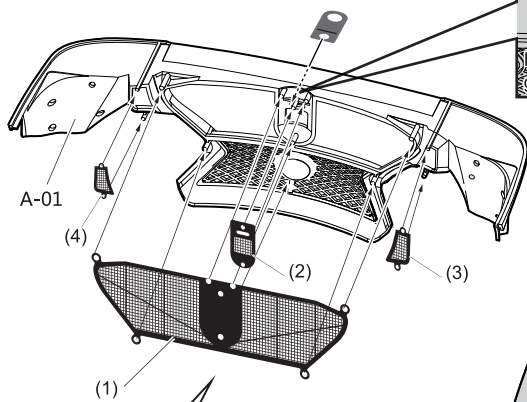
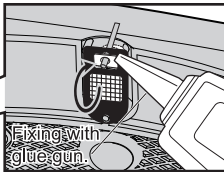
2/2





6 Assembling

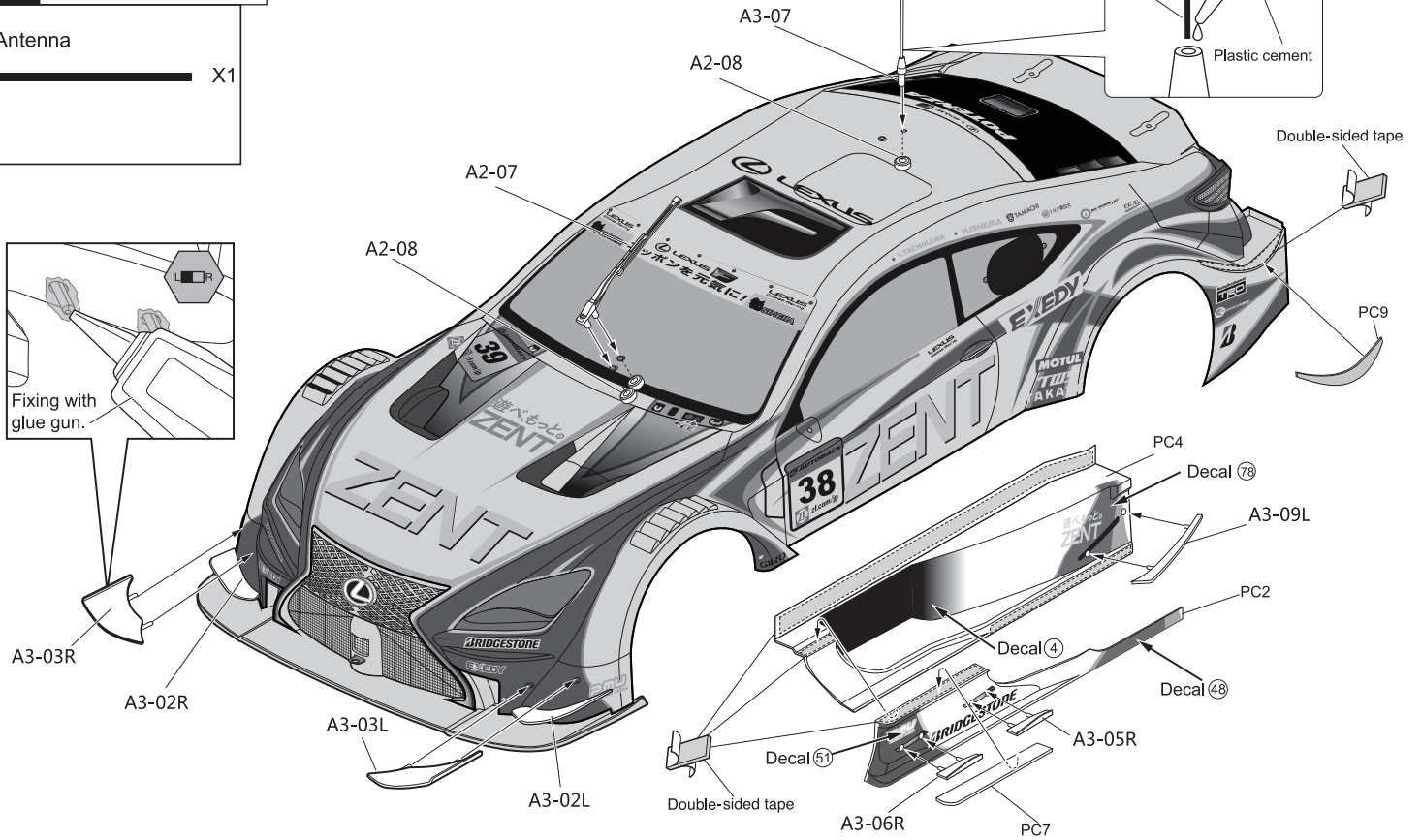
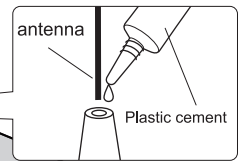
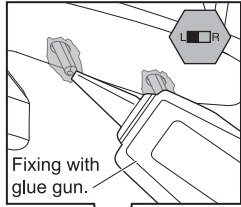
<Inside>



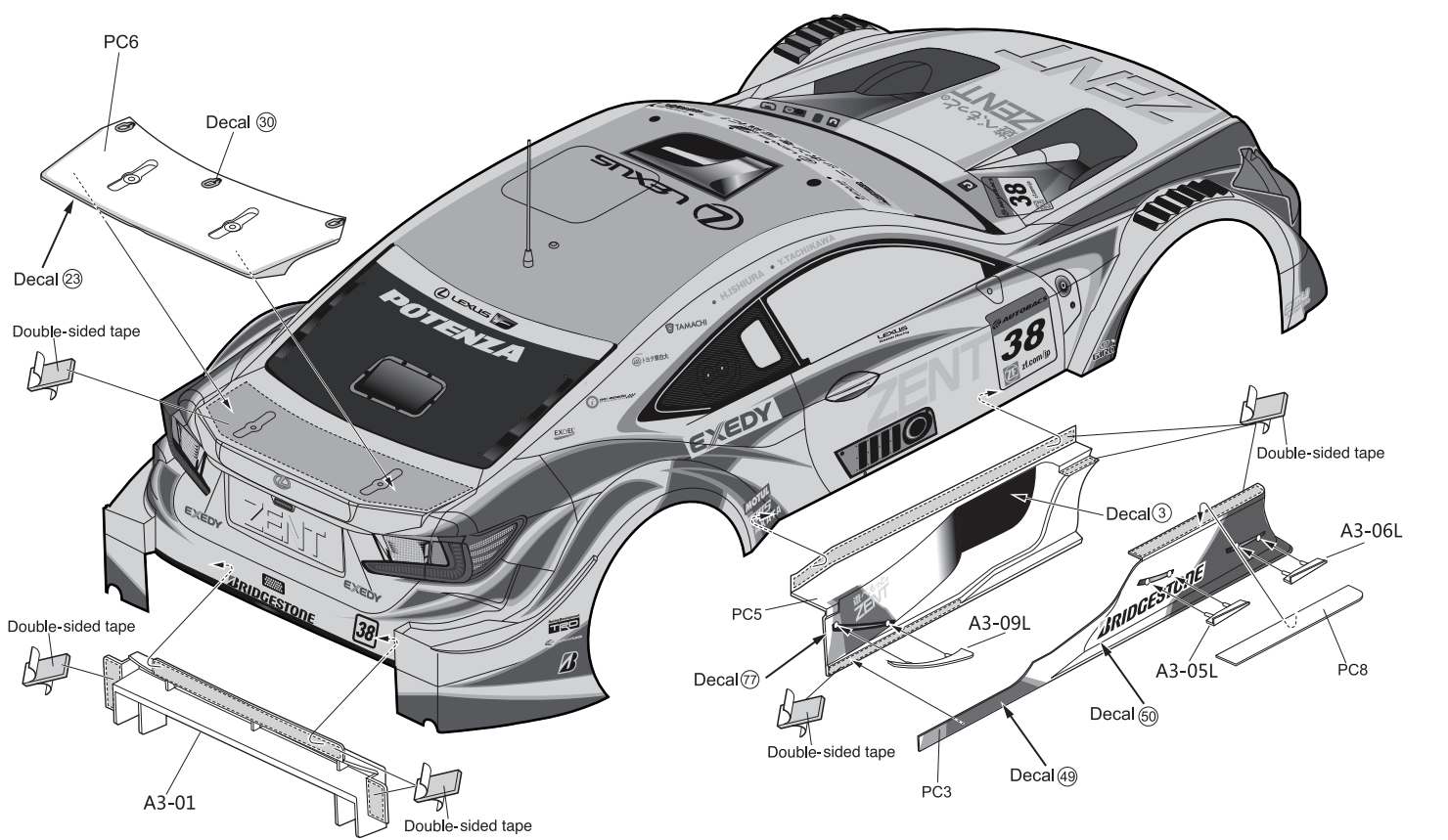
7 Assembling

Antenna

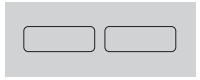
X1



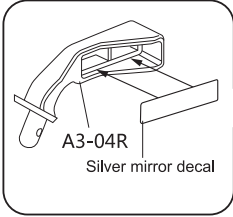
8 Assembling



9 Assembling

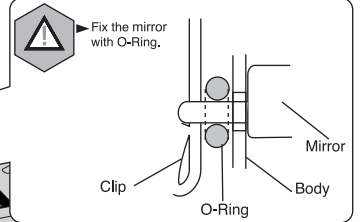


Silver mirror decal

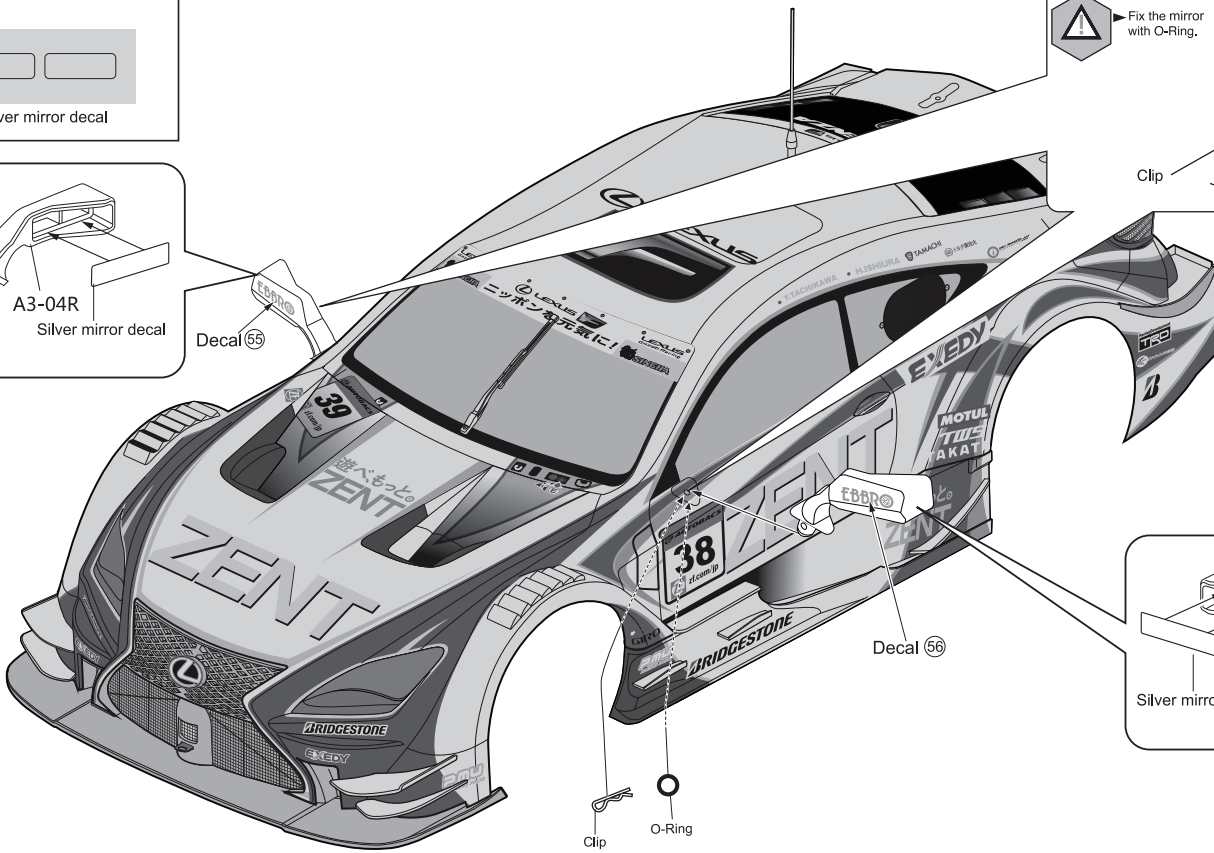


A3-04R
Silver mirror decal

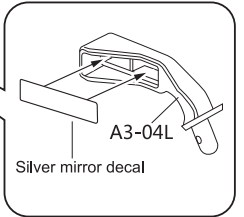
Decal (55)



Fix the mirror with O-Ring.
Mirror
Body
Clip
O-Ring



Decal (56)



A3-04L
Silver mirror decal

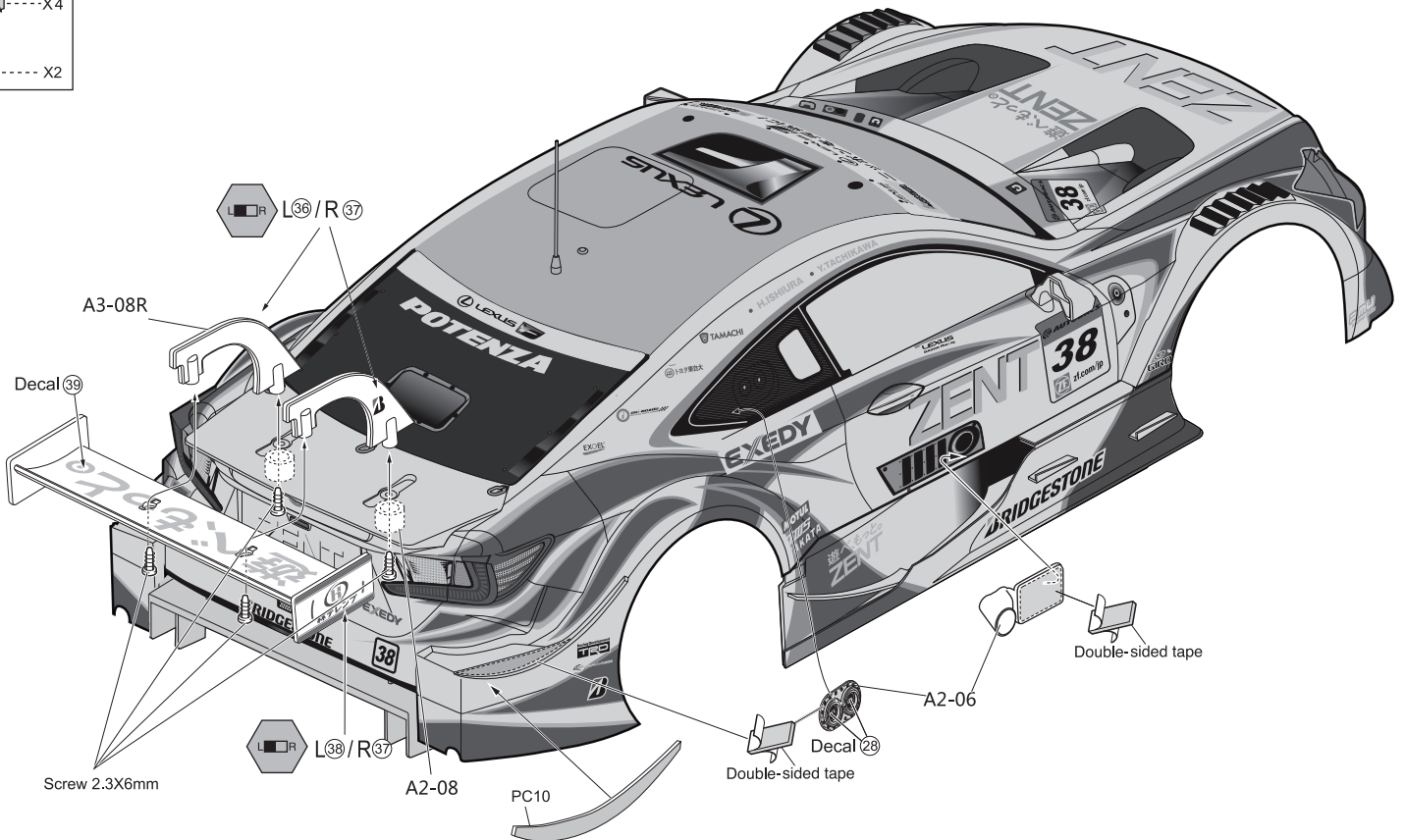
Clip
O-Ring

10 Assembling

Screw 2.3X6mm



X4
X2



L36/R37

A3-08R

Decal (39)

Screw 2.3X6mm

L38/R37

A2-08

PC10

Double-sided tape


Decal (28)

A2-06


Double-sided tape

11 Assembling

LED stopper

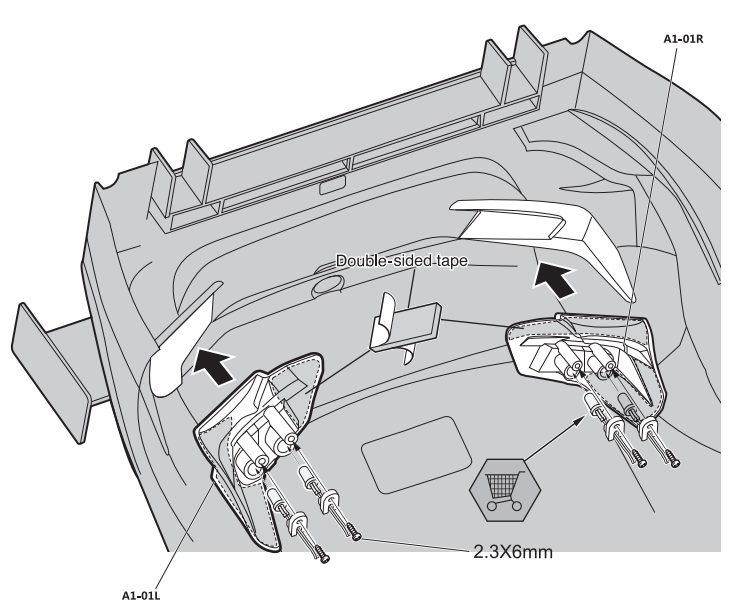
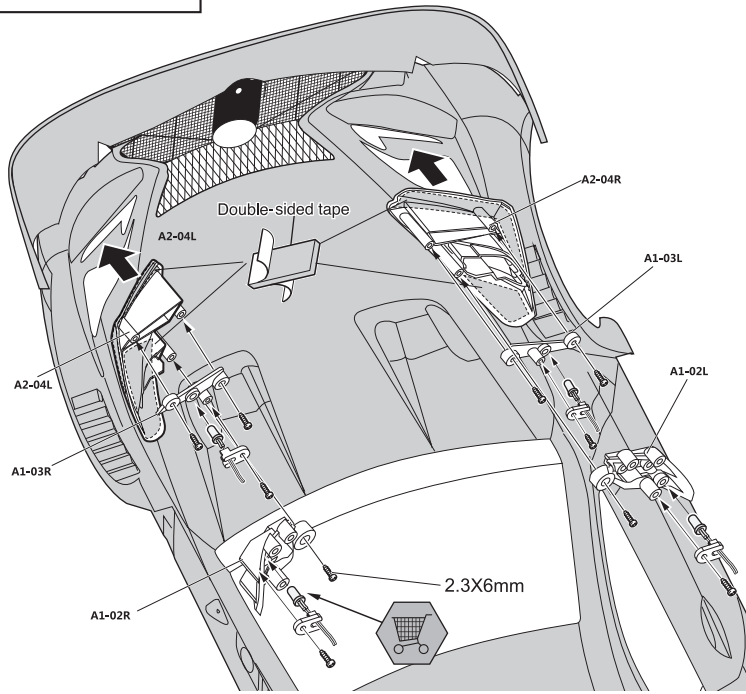
X12

Tapping screw 2.3X6mm

X18

<Front>

<Rear>



12 Wires Distribution

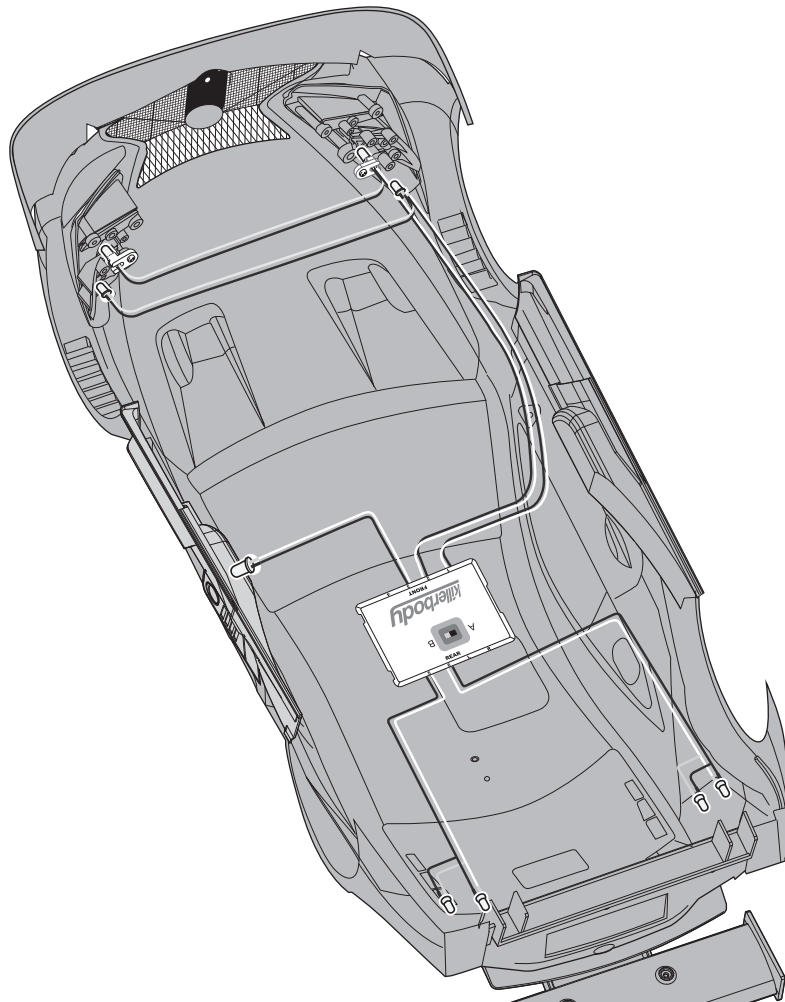


NO.48774 LED Unit Set w/Control Box 13 LED(3mm:9 LED; 5 mm:4 LEDS)

LED 1 (white lights:3mm)X8

LED 1 (red lights:5mm)X4

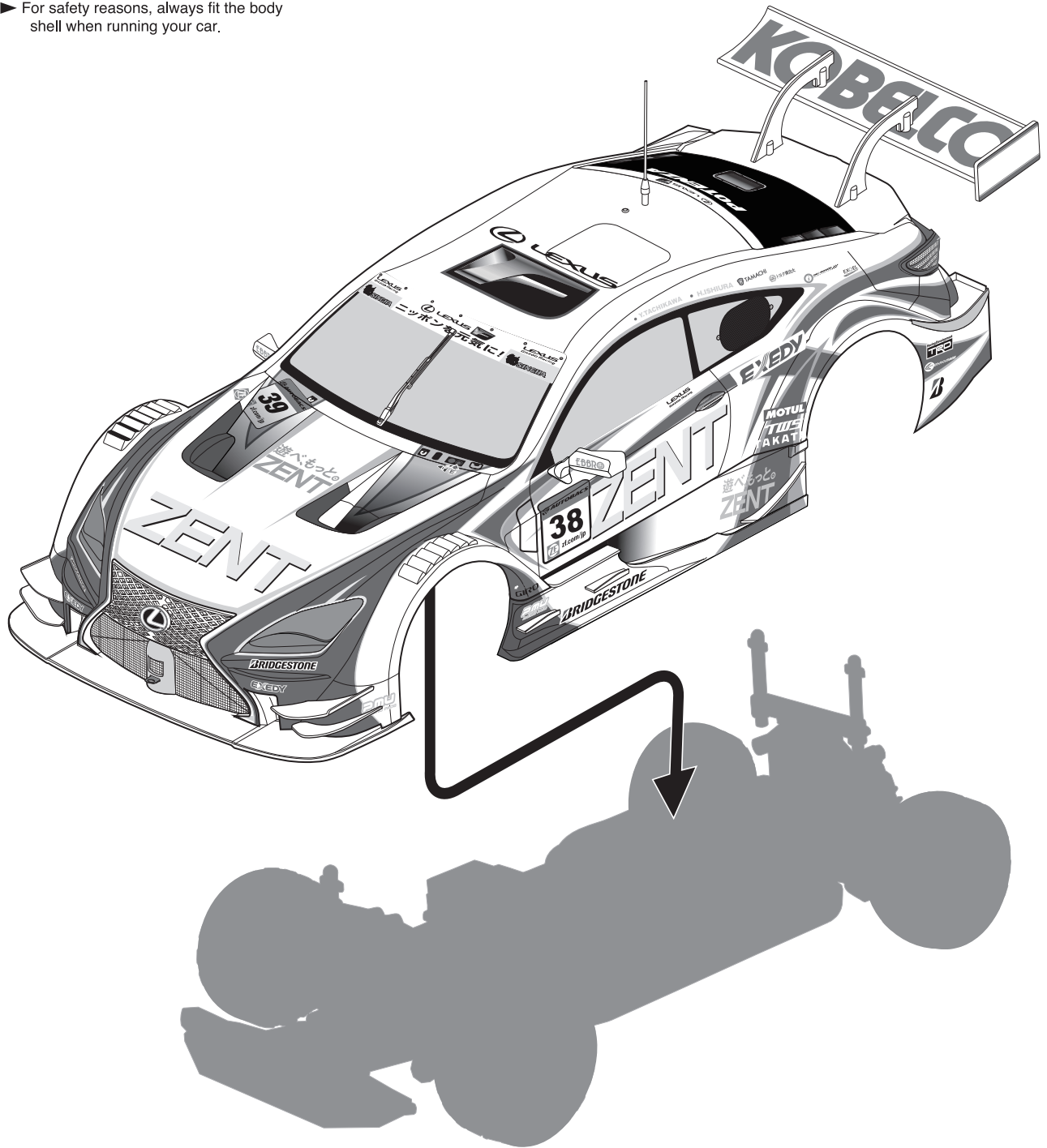
LED 1 (Blue lights:3mm)X1



15 Finished



► For safety reasons, always fit the body shell when running your car.



► Use the extension body mount (sold separately) if the body mount height is not enough.

