



Transmitter Mobile Device Mounting System Installation Instructions

Covers Part #6532

Kit contents:

- TQi mobile device mount
- Äton transmitter battery cover (1)
- Mount arm (1)
- 3x28mm hex screw (1)
- 2.5x6mm cap screw (1)
- Foam pad (1)

Installing the mount on the TQi transmitter

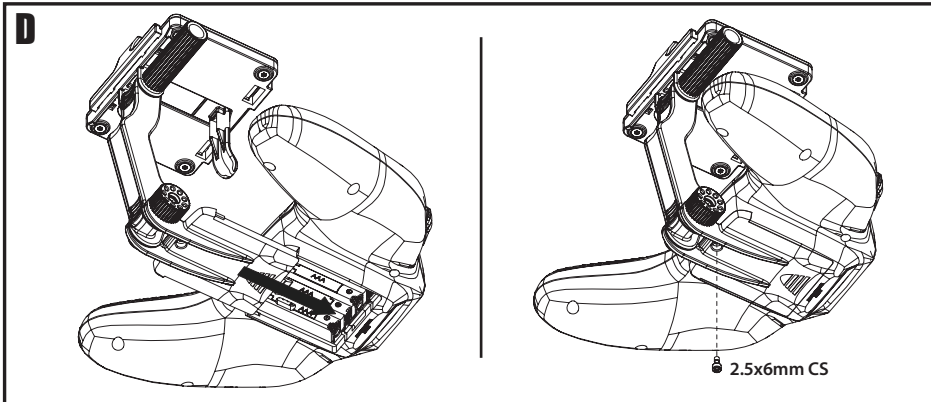
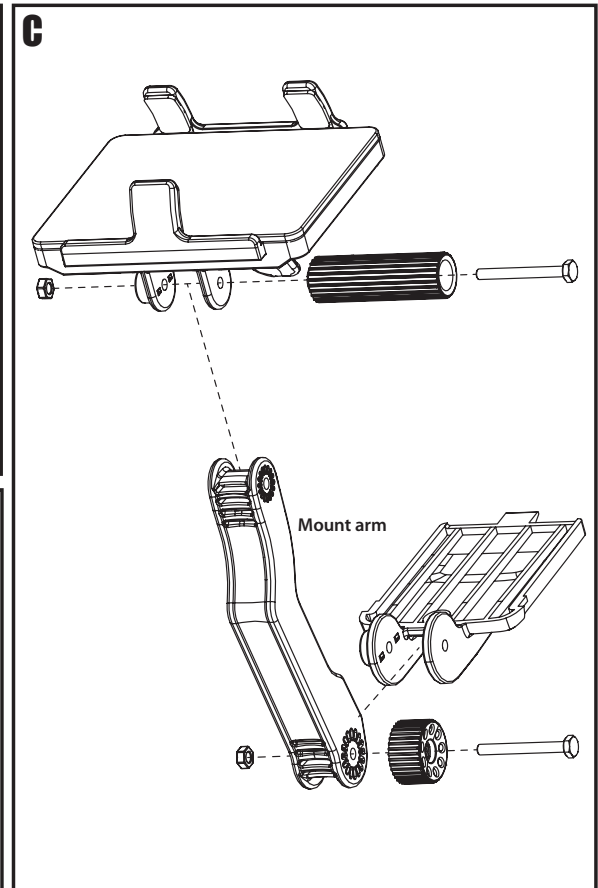
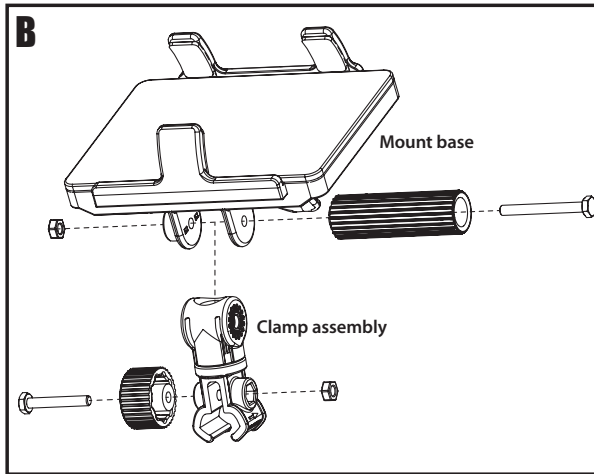
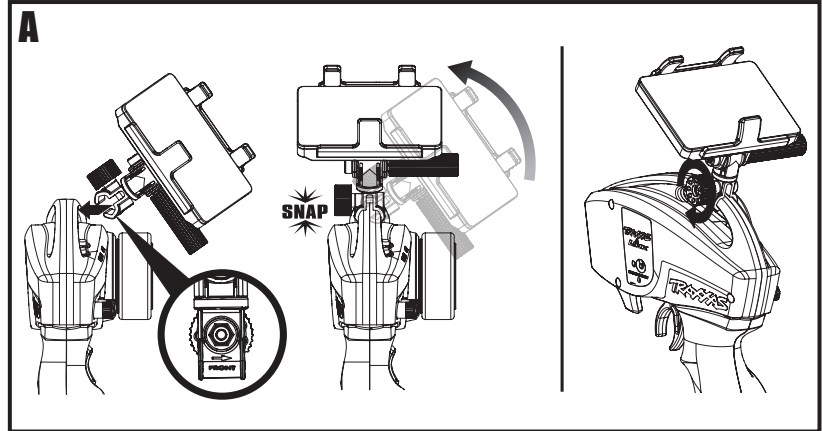
1. Install the mount on the top handle of the transmitter. Rotate the mount until it snaps into place. Secure with the knob (A).

Reconfiguring the mount for installation on the Äton transmitter

1. Remove the existing battery cover from the back of the transmitter.
2. Remove the mount base from the clamp assembly by removing the top and bottom knobs, hex screws, and nuts (B).

Note: During reassembly, replace the hex screw in the bottom knob with the longer 3x28mm hex screw included in the kit; retain and reuse all other fasteners.

3. Install the mount base on the mount arm using the top knob, screw, and nut. Install the new battery cover on the mount arm using the bottom knob, the included 3x28mm hex screw, and nut (C).
4. Install the battery cover/mount assembly on the transmitter and secure with the included 2.5x6mm cap screw (D).



Installing your mobile device for either configuration

The mount base has a unique clamping mechanism that allows your mobile device to be easily installed and removed. The clamp's self-adjusting (spring-loaded) design allows it to accommodate the wide variety of protective cases available for mobile devices.

1. Pull and hold the trigger under the mount base to open the clamp (E).
2. Install and center your mobile device on the mount base.
3. Release the trigger to allow the clamp to self-adjust.
4. Adjust the angle and position of your mobile device to your preference using the adjustment knob (F).
5. For better fitment of smaller devices, peel the backing from the included foam pad and apply it to the mount base.

