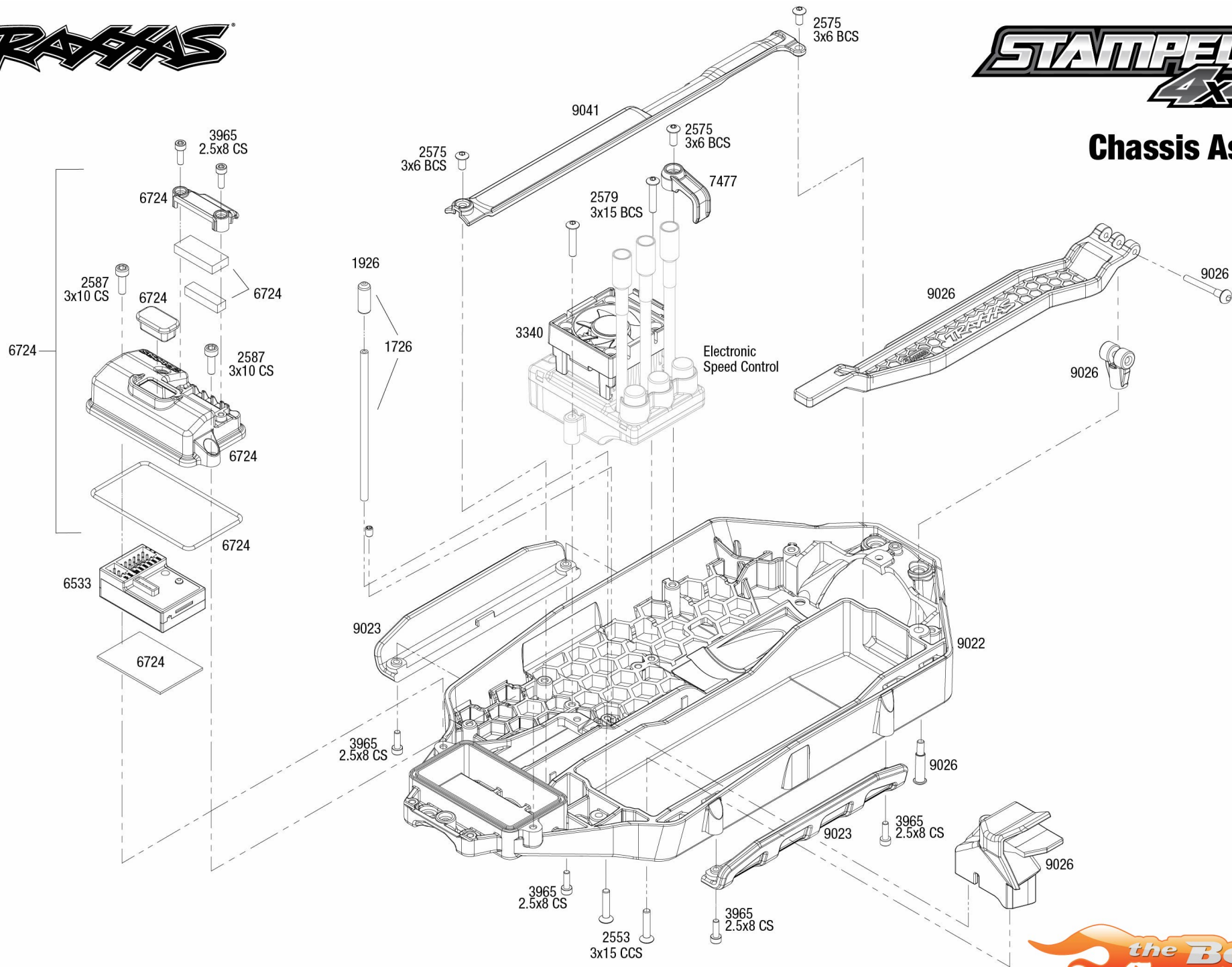


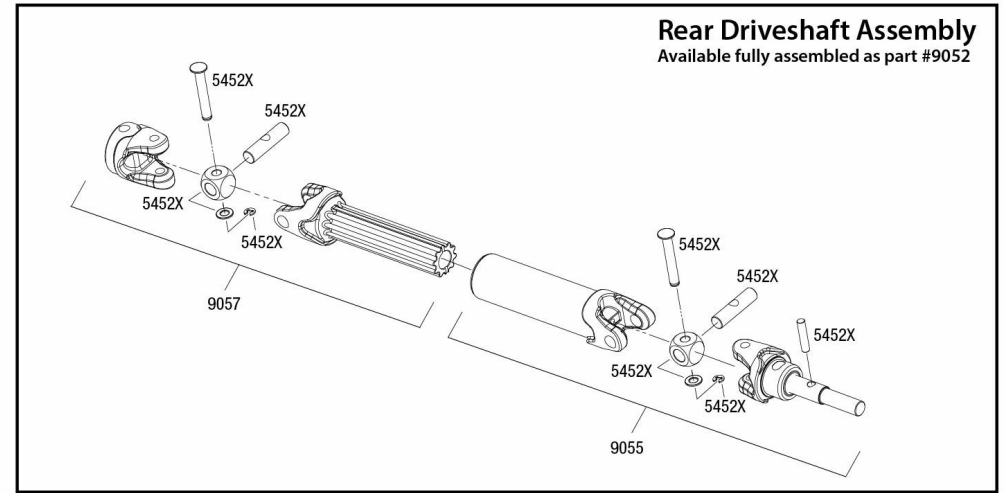
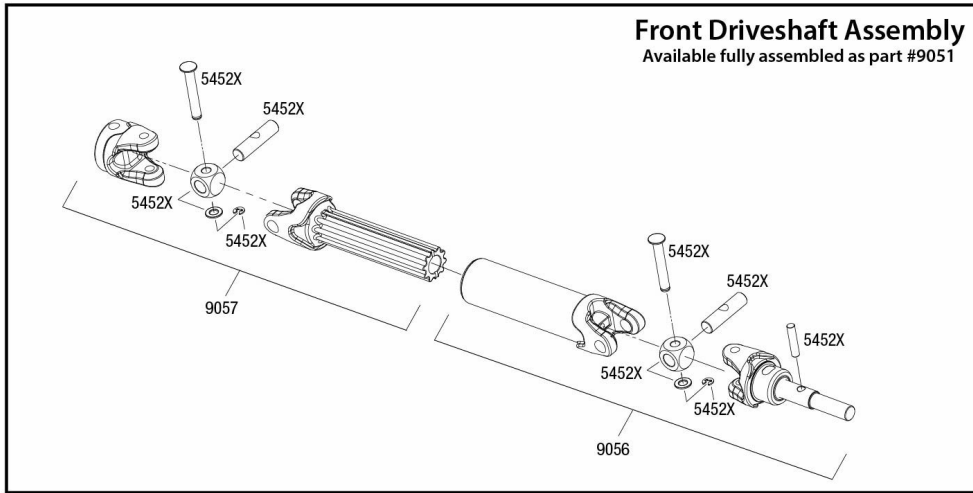
Chassis Assembly



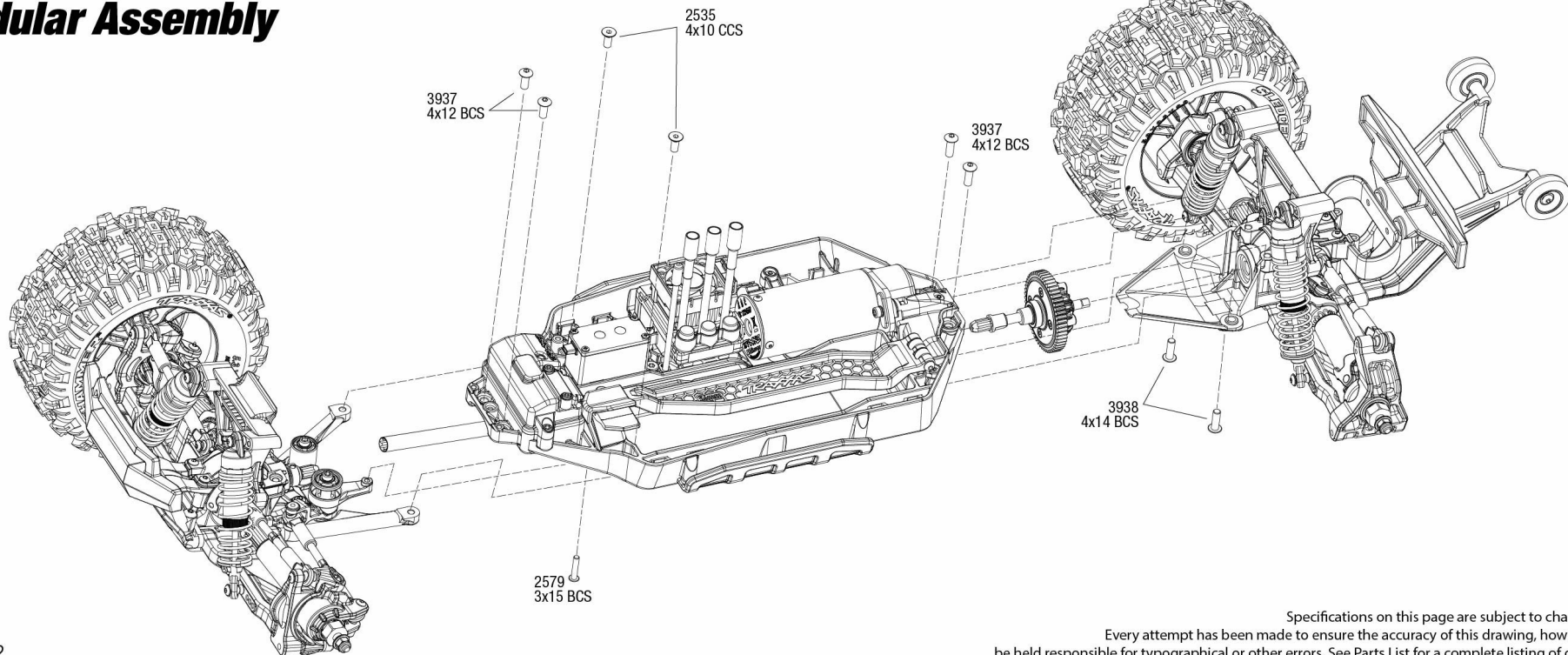
Specifications on this page are subject to change without notice. Every attempt has been made to ensure the accuracy of this drawing; however, Traxxas cannot be held responsible for typographical or other errors.

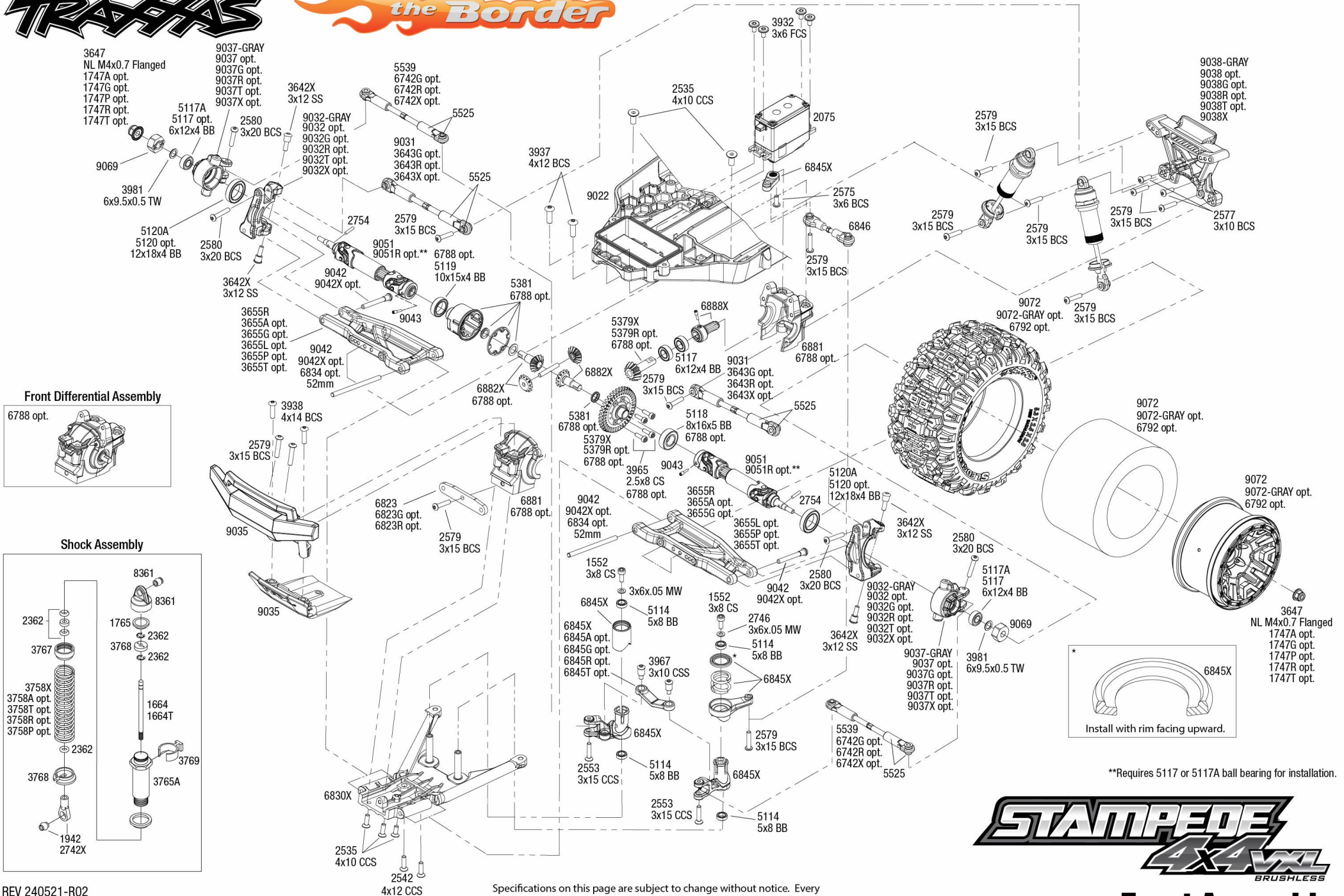
See Parts List for a complete listing of optional accessories.

Driveshafts



Modular Assembly





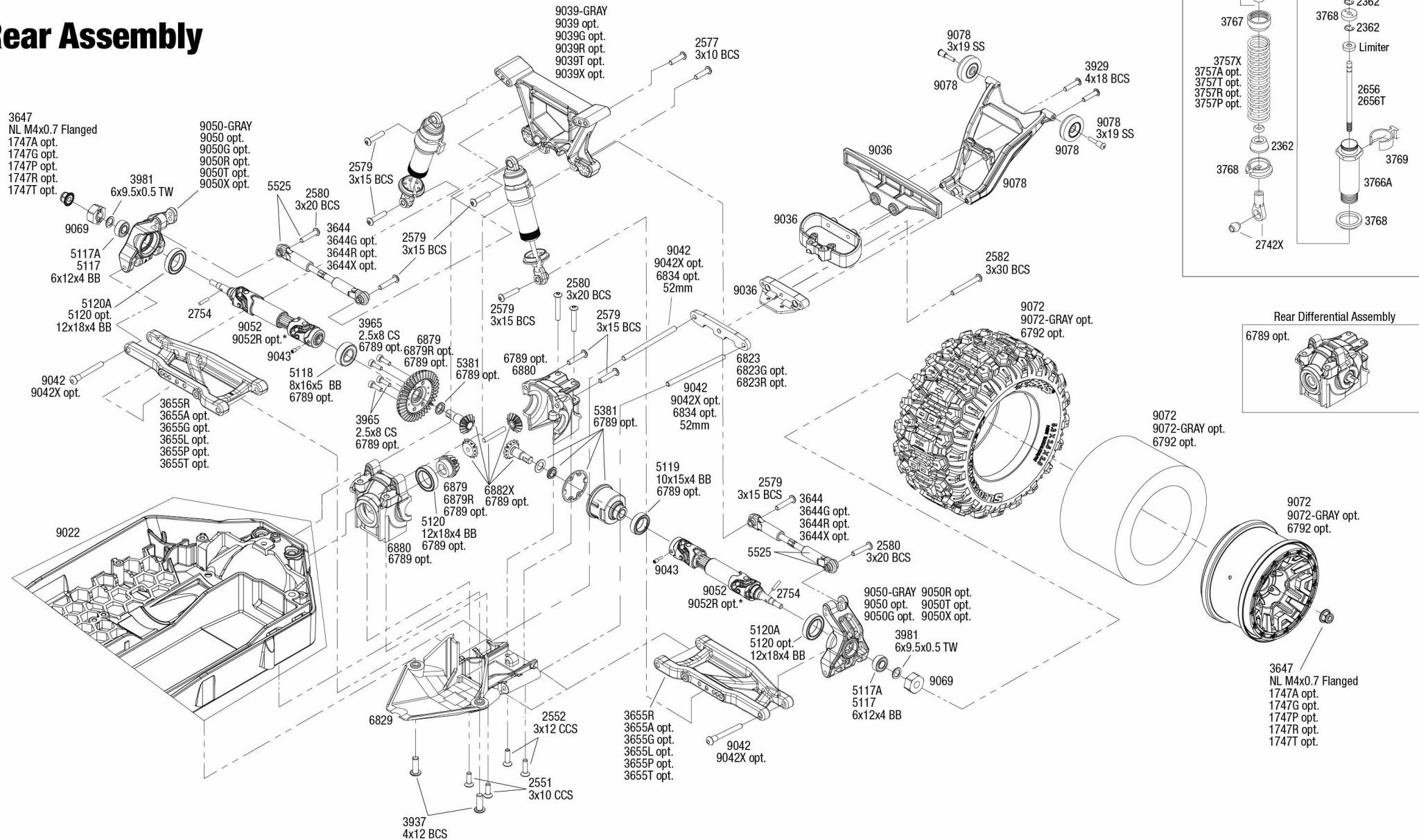
REV 240521-R02
See Parts List for a complete listing of optional accessories.

Specifications on this page are subject to change without notice. Every attempt has been made to ensure the accuracy of this drawing; however, Traxxas cannot be held responsible for typographical or other errors.



Front Assembly

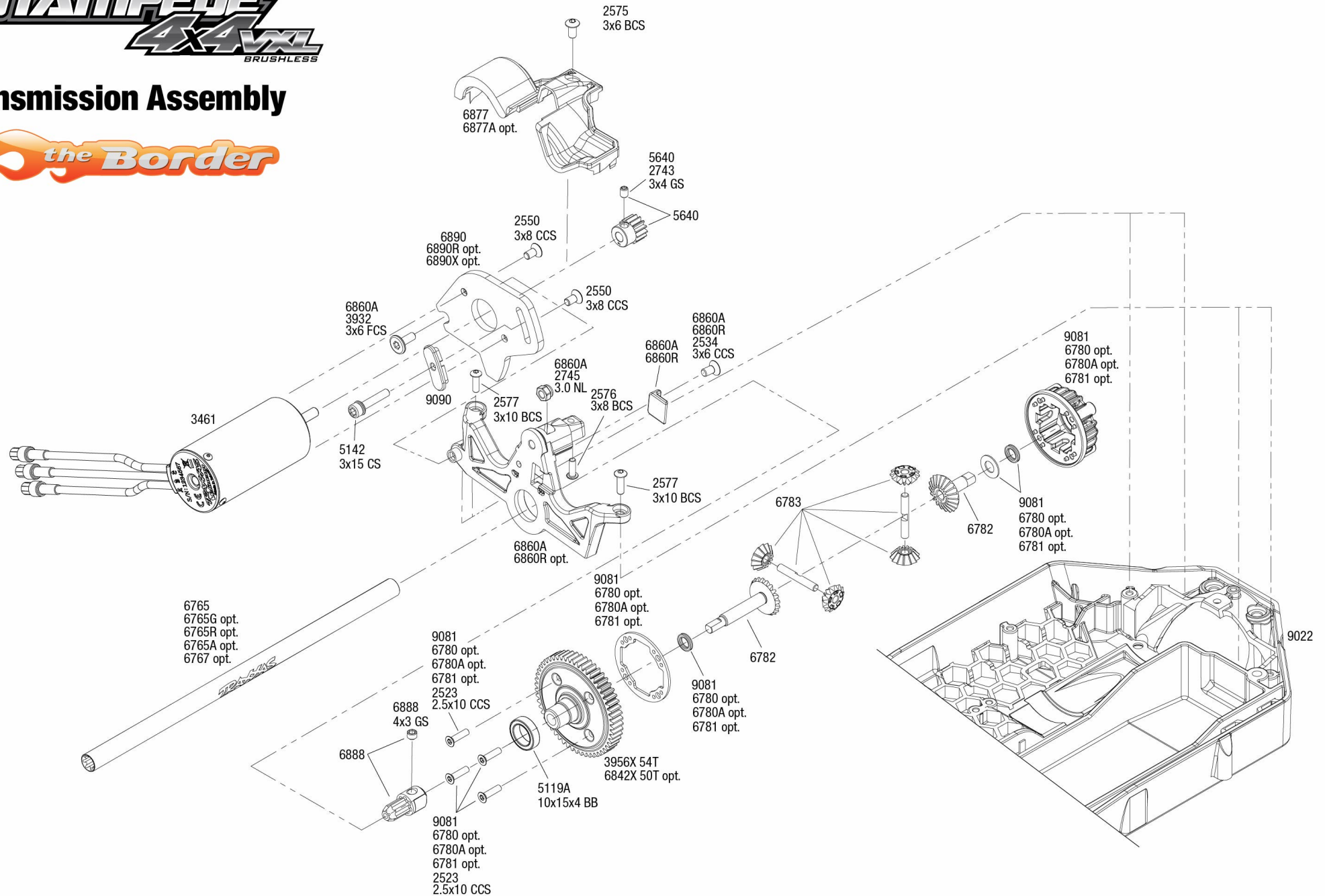
Rear Assembly



*Requires 5117 or 5117A ball bearing for installation.



Transmission Assembly



See Parts List for a complete listing of optional accessories.

REV 240521-R02
Specifications on this page are subject to change without notice. Every attempt has been made to ensure the accuracy of this drawing; however, Traxxas cannot be held responsible for typographical or other errors.